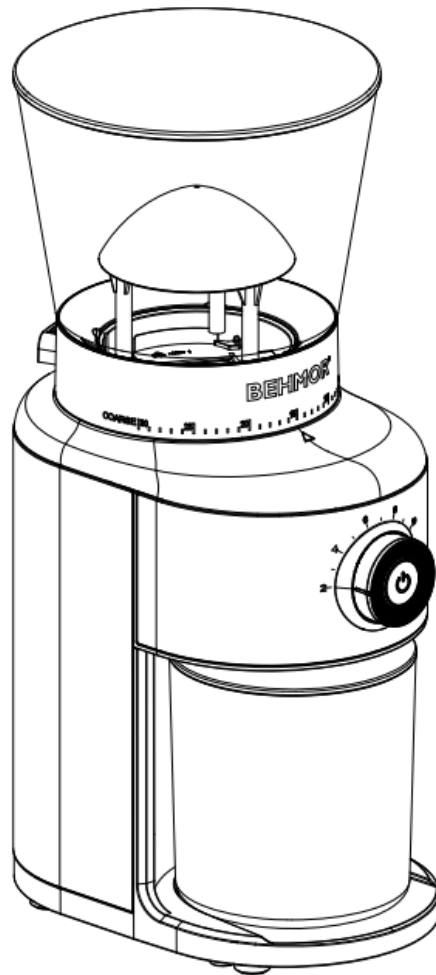




Passion for all things coffee®



## **CONICAL BURR GRINDER**

### **Instruction Manual**

**IBG1000EU**

---

# Table of Contents

<b><u>Content</u></b>	<b><u>Page</u></b>
<b>Part 1: Introduction to the Behmor Buss Grinders</b>	
▪ About Behmor Conical Burr Grinder	2
▪ Important Safeguards	3, 4, 5
<b>Part 2: Know Your Conical Burr Grinder</b>	
▪ Features	5
<b>Part 3: System Prep, Start-up and Grinder Settings</b>	
▪ Before First Use	6
▪ Using the Burr Grinder	6
▪ Filling Coffee Bean Container	6
▪ Setting Coffee Grind Level (Fine to Course)	7
▪ Select Coffee Grind Cups	7
▪ Grinding Tips for Best Results (Table Coffee Grinds)	7, 8
▪ Start to Grind – On/Off Directions	8
<b>Part 4: Maintenance &amp; Cleaning Guidelines</b>	9
<b>Part 5: Technical Information</b>	10
<b>Part 6: Troubling shooting &amp; FAQ</b>	10
<b>Part 7: Recycling Information</b>	10
<b>Part 8: Warranty information</b>	11, 12

**Please read the safety and operating instructions in full. To avoid danger, you must always follow the safety and operating instructions.**

**Many questions can be answered by visiting our Knowledge Base at:**

**<https://behmor.com/knowledge-base/>**

---

# Behmor Operations Manual

## READ IMPORTANT SAFEGUARDS

### Part 1: Introduction to the Behmor Conical Burr Grinder

Thank you for purchasing the Behmor Ideal Conical Burr Grinder.

This manual is comprised of all the information and advice we can impart for burr grinding with the Behmor burr grinder. By taking the time to thoroughly read and follow the advice in this manual, you will experience fewer troubles and more enjoyment from the coffee bean grinder.

*Thank you, Joe Behm - Behmor 1600 Inventor*

### About the Behmor:

The Behmor Grinder is the ideal home grinder for all brewing methods; from Automatic filter drip brewing machines to all manner of manual hand brewing devices (non-esspresso brewing methods). The grinder offers a wide range of grinding settings and will grind enough coffee grounds for 2-12 cups of your favorite coffee.

- Power 220-240v 50-60 Hz 160w
- Bean Hopper capacity is 300g
- Auto Bean closure allows for swapping w/ beans
- Grounds Receptacle Capacity is 150g

The Behmor is designed to provide a broad range of coffee grind settings (30) fine to coarse coffee grounds and, the ability to grind 2-12 cups of coffee that will enhance your coffee brewing experience.

**Please read the safety and operating instructions in full. To avoid danger, you must always follow the safety and operating instructions.**

**THIS APPLIANCE IS DESIGNED FOR RESIDENTIAL HOME USE ONLY**

---

# READ IMPORTANT SAFEGUARDS

**When using ANY electrical products/devices, basic safety precautions should always be followed, and are the sole responsibility of the user/owner, including the following:**

1. Do not use the Behmor grinder for anything other than its intended use.
2. **ADULT supervision is absolutely necessary** when the Behmor is being operated near children or in environments where children are present. **The Behmor is NOT to be used by children!**
3. Always operate the Behmor grinder in a properly suited safe environment clear of clutter.
4. Do not place on or near a hot gas or electric burner, or in a heated oven. Use only on a stable, hard kitchen countertop surface.
5. Do not use outdoors. The grinder is not intended for outdoor use.
6. **NEVER operate the Behmor grinder with a damaged cord or plug.**
7. A short power-supply cord is provided to reduce risks resulting from becoming entangled in or tripping over a longer cord. Do not let the cord hang over the edge of a table or counter or touch hot surfaces.
8. Do not immerse cord, plug or the Behmor itself in water or any other liquids.
9. Do not use with extension cords. The Behmor plug is short by design to ensure the cord will not snag or catch on anything that could topple the grinder.
10. Never exceed the recommended maximum beans when grinding (300g) freshly roasted beans
11. It is the user's responsibility to be 100% sure all connections are secure and that the lid and coffee bean hopper, and the coffee ground bin have all been closed and secured properly before any use.
12. Check to be sure that the coffee grounds bin is securely in place before grinding
13. **Do NOT USE ANY ATTACHMENTS**, or make any modifications that are not explicitly approved by Behmor Inc. in, on, or to the Behmor grinder. **Using such items or making modifications is strictly prohibited and automatically voids all warranties and relieves Behmor Inc. of any/all liabilities arising from such misuse and tampering.**
14. Unplug the Behmor grinder from the outlet when not in use or when cleaning. To disconnect the Behmor grinder, make sure it is not running, then properly/firmly grip the plug and pull from wall outlet. Do not pull or tug on the power cord.
15. Make sure the grinder is not running when cleaning.
16. Do not clean the interior with any metal cleaning pad or any cleaning solvents containing caustic chemicals or abrasives. **Grinder cleaners such as Urnex Grindz are recommended burr grinder cleaner.**

**Please read the safety and operating instructions in full. To avoid danger, you must always follow the safety and operating instructions.**

---

# SAFETY INSTRUCTIONS (continued)

## REMINDERS:

**If the power cord is damaged**, it must be replaced by the manufacturer, its service agent, or similarly qualified persons to avoid a “safety hazard.”

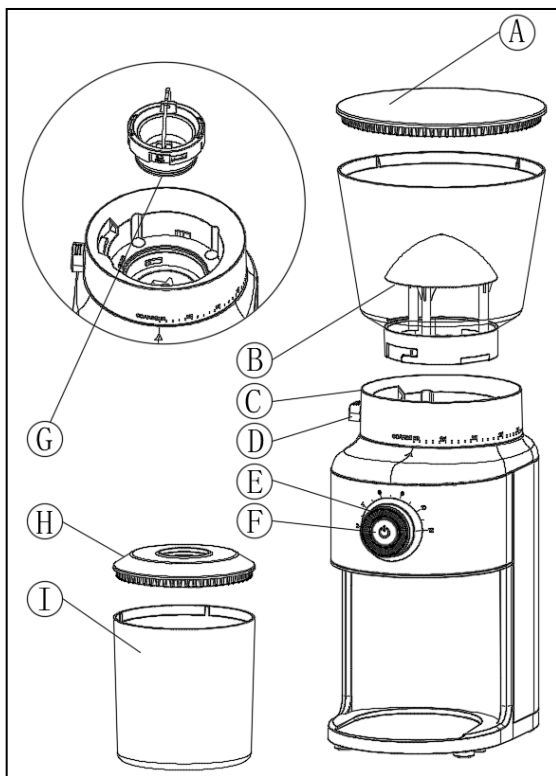
**Switch off the appliance and disconnect from power supply before changing accessories or approaching parts that move in use.**

**Never Use an Extension Cord.**

**DO NOT ATTEMPT TO ALTER ANY SAFETY FEATURES** of the Behmor grinder. To do so voids all explicit and implied warranties /guarantees and relieves Behmor Inc. of any/all liabilities arising from such misuse and tampering.

## Part 2. Get to Know Your Conical Coffee Grinder

### Features:



- A. Bean hopper lid**
- B. Detachable bean hopper –auto sealing**
- C. Grind adjustment (see grind settings)**
- D. Switch for removing the bean hopper**
- E. Coffee quantity timer**
- F. On/off Button**
- G. Stainless Steel Grinder Ring**
- H. Ground coffee container lid**
- I. Ground coffee container**

---

## Part 3. System Preparations - Start-up and Operations

### Before First Use:

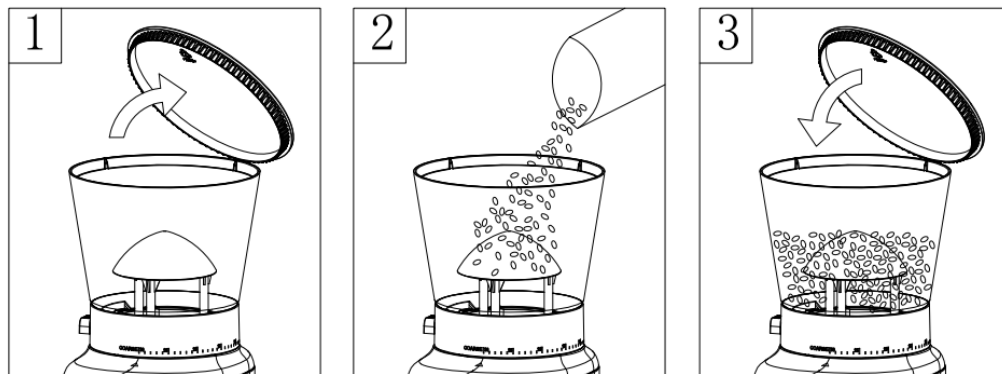
- Remove all packaging materials from the both the coffee bean (Top) hopper and coffee grounds (Bottom) bin
- Check the burr grinder to make sure there are no foreign objects
- The Behmor grinder is tested in the factory to ensure the product is in perfect working order prior to being package. As a result, coffee ground residues may remain in the appliances. Wipe clean the hopper and container bin and use the brush to clear burr grinder of any residue.
- Place the appliance on a dry, level and stable surface (recommend kitchen countertop)
- Make sure that the main voltage in your household corresponds to the information on the product rating label on the base of the appliance
- Connect the appliance to the power outlet in your home

### Using your Coffee Grinder:

The appliance has various features to ensure ease of use and for the perfect coffee. These features are explained below.

### Filling the coffee bean hopper:

- Remove the lid on the bean hopper (Fig. 1).
- Fill the bean hopper with the desired quantity of coffee beans (Fig. 2).
  - Note: the maximum fill capacity is approx. 300g, Do Not Exceed
- Replace the lid on the bean container (Fig 3).
  - Note: The coffee grinder is only suitable for grinding coffee beans. Make sure that there are no other objects or food inside the appliance.
  - To ensure that the grinder works properly, avoid excessively oily coffee beans. Oil build up can clog, or slow grinding function. Oils from beans can also go rancid causing bad flavors
  - Do not fill the bean container with ground coffee. Never regrind coffee.

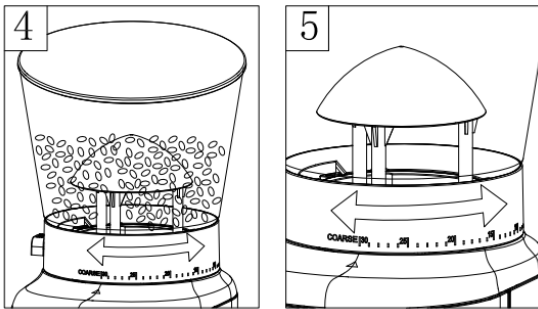


---

### Set grind level:

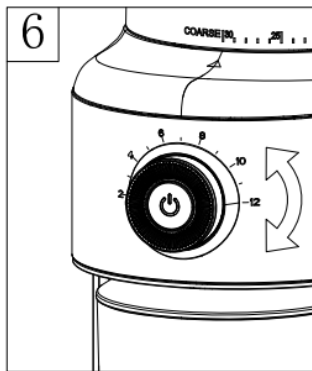
Depending on your individual taste or method of brewing, up to 30 different grind levels can be set to suit the required preparation method - e.g., non-espreso brewing methods, filter coffee or French press.

- To adjust the grind level, turn the bean container with light pressure to the required position (Fig. 4).
- Depending on the brewing method, select a grind level from fine (Fine) to coarse (Coarse). See illustration Fig. 5.



### Select the grinding cups:



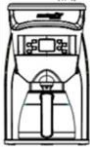


There are 2-12 cups select range (Fig. 6). If the dial is set to 12, it will grind enough coffee to serve approximately 12 cups. This should be used as a guide only, as it will vary depending upon your preferred taste, type and roast of bean, and the grind selected.



### Grinder Tips for Best Results:

- Fresh beans will yield the best flavor and aroma.
- Only fill the bean container with the quantity of coffee beans that you intend to use in the near future.
- The required grind quantity depends on the coffee quantity and preparation method. Different amounts are used for the different preparation methods.
- The actual grind size for a particular setting will vary depending on many factors including the degree of roast (light vs. dark), freshness, humidity, type of bean, oil content, etc. With use, you will discover which setting best meets your taste, brewing style and other personal coffee-making preferences. Don't be afraid to make changes to get the taste you like.

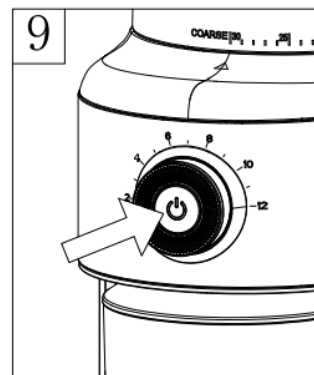
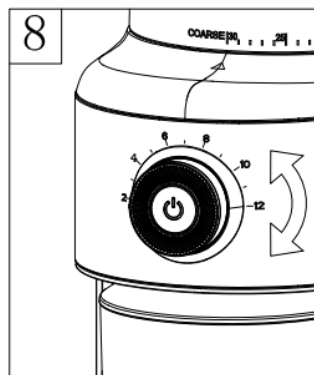
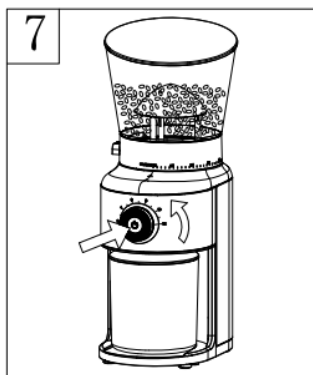
Please refer to the following table for recommended coffee grind settings:

Type	Espresso	Moka	Drip Coffee	Pour Over	French Press
			 Behmor Brazen		
Recommended grind level	Fine*	Fine	Medium	Medium Coarse	Coarse
Grind Setting	1-5	1-10	11-19	20-26	26-30

\*If you plan to grind coffee for espresso we recommend “grind one dose at a time” for the best possible grind.

### Start to grind:

Once you have both the coarseness selector knob (Fig. 7) and the cup selector knob (Fig. 8) set, press the On/Off Button (Fig. 9) to start the grinder. The grinder will stop automatically after the set time. You can also press the On/Off Button at any time to stop it. After use, the appliance must be unplugged. Remove the Ground Coffee Container and use the grounds as you desire.



## Part 4: User Maintenance instructions

This appliance requires little maintenance. It contains no user-serviceable parts. Any servicing requiring disassembly other than cleaning must be performed by a qualified appliance repair technician.

**REMEMBER: Always disconnect the plug from electrical outlet before cleaning!**



---

## Part 4: Cleaning & Maintenance (continued)

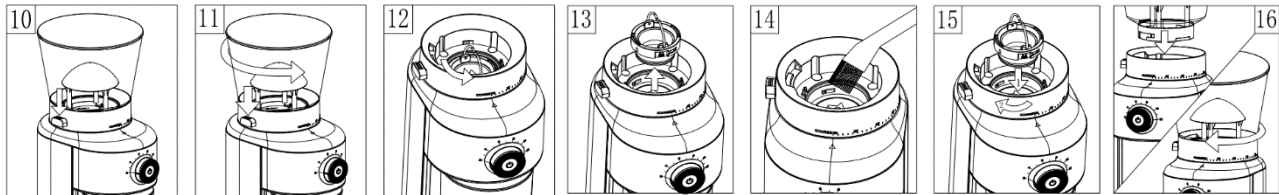
### Storing Instructions:

- Unplug the Electric Burr Grinder from electrical outlet before storing
- Remove any coffee residue in coffee bins before storing
- Store unit fully assembled in its box or in a clean, dry place

### Cleaning & Maintenance Warning:

- **WARNING: DO NOT IMMERSE THE MOTOR BASE IN WATER**
- **NEVER CLEAN THE COFFEE GRINDER AND ITS REMOVABLE PARTS IN THE DISH WASHER!**
- **DO NOT PLACE HANDHELD BURR COFFEE GRINDER IN THE DISHWASHER!**

### Recommend Cleaning after every use.



1. **For the best coffee results, we recommend that you clean the bean container, grinder and ground coffee chute regularly. Clean when the grinder is completely empty.**
2. The bean container can be removed from the machine for cleaning. To do this, press the button at the bottom edge of the bean container in the open position (Fig 10.). At the same time, the bean container will be turned anti-clockwise (Fig. 11) until it stops and remove it from the machine. **Remove coffee residues from the bean container with a soft, damp cloth.**
3. The outer grinder ring (Fig. 12) can be removed to clean the grinding mechanism. To do this, lift the clamp upwards and unlock the grinder ring by turning it anticlockwise (Fig. 13). Remove the grinder ring.
4. Clean the grinding mechanism with the supplied brush (Fig. 14). Remaining coffee residues can be shaken out or removed using a vacuum cleaner. Occasional full cleaning **Grinder cleaners such as Urnex Grindz are recommended burr grinder cleaner.**
5. Replace the grinder ring in the appliance and turn it clockwise until it locks into place (Fig. 15). It is completely locked when the grinder ring can no longer be pulled up and out.
6. Note: Ground coffee residues on ground coffee chute and on the housing can be removed with the enclosed brush and/or a soft, damp cloth.
7. To insert the bean container, place it on the appliance and turn clockwise until it clicks into place (Fig. 16). In this position, the markings on the housing and on the bean container are vertically one above the other. The coffee grinder can only be used if the bean container is correctly inserted.
8. The collecting container and the lid of the bean container can be cleaned with a damp cloth.

---

## Part: 5 Technical Information:

The appliance has an overload protection for the grinding mechanism, this protects against damage by foreign objects. If you hear a loud, rattling, previously unknown noise during the grinding process, press the on/off unplug the machine immediately, and then clean the grinding mechanism as described under “Clean & Maintenance.”

- Power 220-240v 50-60 Hz 160w
- Bean Hopper maximum capacity 300g
- Grounds Receptacle capacity 150g
- 30 Grind settings Coarse to Fine Grind
- Stainless Steel Conical Burrs - swappable

## Part 6: Troubleshooting:

Problem	Solution
Grinder stops working during use	Grinder overheats. If the motor shuts down, unplug the coffee grinder and empty the coffee grounds from the ground coffee container. Let the motor rest for approximately 15 minutes. Once the 15-minute reset is complete, plug the power cord back into the 220-240volt electrical outlet and continue grinding.
Hear previously unknown noise during the grinding process	The appliance has an overload protection for the grinding mechanism, this protects against damage by foreign objects. If you hear a loud, rattling, previously unknown noise during the grinding process, press the on/off or unplug unit immediately and clean the grinding mechanism as described under “Clean & Maintenance.”

## Part 7. Recycle - Correct Disposal of this product:



The illustration to the left indicates that this product should not be disposed with other household wastes throughout the EU. To prevent possible harm to the environment or human health from uncontrolled waste disposal, recycle it responsibly to promote the sustainable reuse of material resources.

To return your used device, please use the return and collection systems or contact the retailer where the product was purchased. They can take this product for environmentally safe recycling.

---

## Part 8: Limited Warranty-The Behmor Ideal Conical Burr Grinder

**24 month Limited Warranty:** Behmor Inc., warrants to the original owner of this product that it is free from defects in material and workmanship for a period of 24 months from date of purchase for the Behmor Conical Burr Grinder Model IBG1000EU providing the Owner Registration Card has been completed and returned to Behmor Inc., within thirty (30) days from the original purchase date or Owner Registration at [www.behmor.com](http://www.behmor.com) has been completed online within (30) days from the original purchase date.

The manufacturer's obligation will be limited to repairing or replacing F.O.B. (address city state zip) any part(s) of the product which is/are defective.

Such warranty will not apply to defects resulting from commercial use, tampering, cosmetic damage, acts of God, accidental breakage, abuse, negligence, neglect, and/ or misuse. This would include damage to the system caused by failure to properly maintain the Behmor Conical Burr Grinder Model IBG1000EU as referenced in the manual and/or Updates posted on the Behmor Inc website located at [www.behmor.com](http://www.behmor.com).

If the product is defective within the **FIRST 30 days** of the purchase date, please contact Behmor Inc. and we will provide you with instructions on where and how the return will be handled. Under normal circumstances Behmor will send you a return label, a return authorization notice and/or send you a new part(s) to replace the defective one(s).

If you must return the product for reasons of malfunction **after the first 30 days but within the 24-month** warranty period, the following action and steps are required:

1. The machine must be packaged securely to protect from damage or breakage in shipment.
2. Behmor Inc. accepts no responsibility for damages occurring in the shipping process. We highly recommend that you obtain insurance in case the shipping firm damages or loses the grinder.
3. Email, Behmor Inc. to obtain a Return Merchandise Authorization (RMA). Once the RMA is received, the customer is required to ship-prepaid the part or the unit to an approved designated Behmor Inc. dealer or service provider, by the most convenient method with the RMA clearly noted on the outside of the box.
4. If you return the product after the 24-month warranty period, Behmor will provide you a cost of a replacement unit and/or parts, plus €35, for shipping, handling, and insurance. Behmor Inc. will replace/repair your machine and return it to you from one of our designated service providers.

Even if not required, the rights in this warranty are granted to you. This warranty gives you specific legal rights, and you may also have other rights, that could vary. Return of Owner Registration Card is not a condition precedent to warranty coverage.

Behmor Inc., will not be held liable for any special, incidental, or consequential damage, resulting from possession, use, or loss of use of this product either directly or indirectly.

**KEEP ORIGINAL SALES \*RECEIPT AS PROOF OF PURCHASE- WARRANTY IS VALID ONLY WITH THE ORIGINAL PROOF OF PURCHASE RECEIPT FROM BEHMOR AUTHORIZED RESELLERS**

\*Staple your purchase receipt to the manual for easy reference

**Limited Warranty-The Behmor Ideal Conical Burr Grinder**

No returns will be accepted without prior authorization and company issued RMA number.

To receive a Return Merchandise Authorization (RMA) email Customer Service at [tech@behmor.com](mailto:tech@behmor.com) for RMA instructions

Date of Purchase \_\_\_\_\_ Serial Number \_\_\_\_\_

This warranty is non-transferable

**KEEP ORIGINAL SALES RECEIPT AS PROOF OF PURCHASE- WARRANTY IS VALID ONLY WITH THE ORIGINAL PROOF OF PURCHASE RECEIPT FROM BEHMOR AUTHORIZED RESELLERS**

**Please read the safety and operating instructions in full. To avoid danger, you must always follow the safety and operating instructions.**

Many questions can be answered by visiting our Knowledge Base at:

**<https://behmor.com/knowledge-base/>**

**THIS APPLIANCE IS DESIGNED FOR RESIDENTIAL HOME USE ONLY**

## Behmor 2020SR Plus Home Coffee Roaster

Craft and sample roasting meets affordable technology



### Features:

- Up to 400 grams of coffee beans per roast
- Multi-speed motor for better roast control- 16 and 32 RPM
- 2x more powerful MCU cuts data refresh time by 50%
- On Board Audible Beep Advisory (unattended safety cutoff and :15 remaining warning)
- Patented smoke suppression technology for indoor roasting\*\*\*\*
- 5 pre-programmed roast settings
- Manual roasting features for greater control
- RoHS Compliant- reduced hazardous substance
- Certified : CETL, CE, GCC, SAA

### Dimensions:

- Product dimensions- centimeters: 44 x 30 x 26 Net Weight 8.2 kg

[www.behmor.com](http://www.behmor.com)

# **BRAZEN<sup>®</sup> PLUS 3.0**

**COFFEE DELIVERED AS YOU WANT IT**



- Capacity: 1.2L / 8 Cup (uses 10 Cup paper filters)
- Variable Temperature Controls
- 90-99C (190°-210° F) 1° increments
- On Board System Temperature Calibration
- Altitude Correction
- Power Controlled Temperature Glide
- Full Saturation Water Dispersion Spray head
- Pre-Soak function w/User Controlled Time Setting
- Stainless Steel Water Reservoir
- Stainless Steel carafe
- Manual Water Release Feature
- Auto-Timer
- Memory (on board) - stores system settings
- Sleep Mode- power saver



International  
Roasting Competition  
\*Brewer of choice\*

Behmor Inspired<sup>®</sup>  
Be more Connected



NEW PRODUCT OF THE SHOW  
2014 AWARD WINNER